

SERIES W70

VACUUM GENERATOR



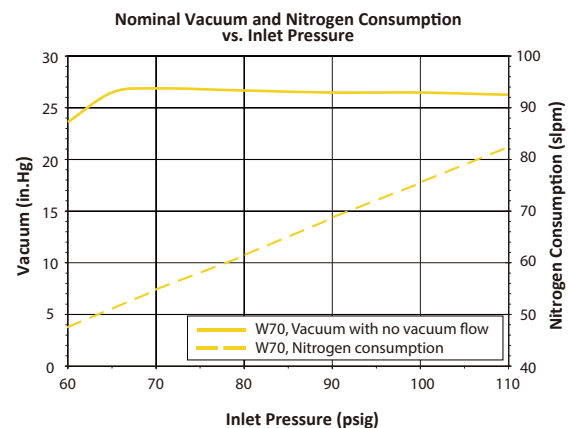
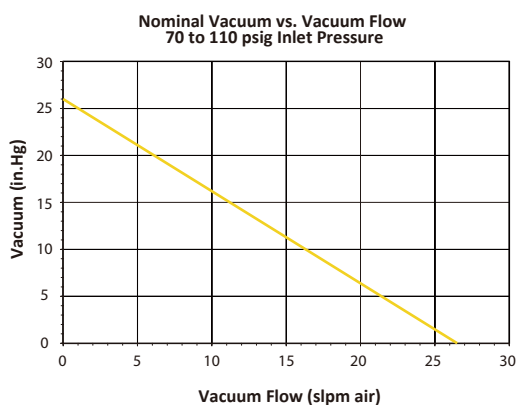
- Vacuum generated: 100 mm Hg absolute (-26 inch Hg / 100 Torr)
- Dimensionally compatible, drop-in replacement for several competitive units
- Manufactured to Pure T UHP semiconductor standards
- Leak rate, inboard & outboard, 1×10^{-10} sccs He
- Stainless Steel 316L construction
- All welded design for maximum leak integrity
- Installation and operating instructions posted to www.puretuhp.com in the Pure Tech section

Operating Parameters

N ₂ inlet	70 to 110 psig (0.48 to 0.76 MPag)
Vacuum port (operating)	3,500 psig (24.1 MPag)
Vacuum maximum*	-26 in Hg (100 Torr)
Proof pressure	150% of operating pressures
Burst pressure	300% of operating pressures
Leak rate	1×10^{-10} sccs He
Operating temperature	-30° to +70°C (-22° to +158°F)

*Vacuum rating with 3/8" vent line of 30" overall length

Vacuum and Flow Specifications*



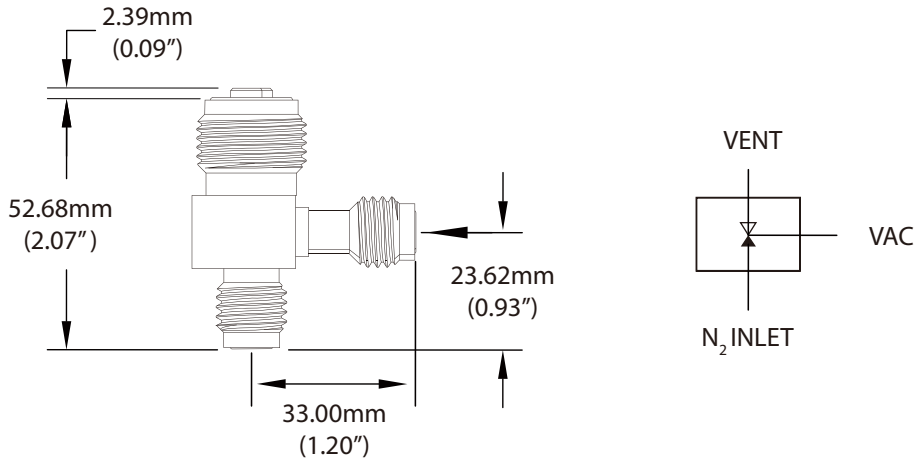


Purity, Performance and Reliability

Materials of Construction

Wetted Parts	
Body, orifice	SS 316L

Dimensional Information



All dimensions in mm.
 Inch dimensions (inches) are for reference only.
 All specifications subject to change without notice.



Caution: The customer is entirely responsible for product selection and it should be based upon the customer's own analysis regardless of any recommendations, published or communicated, by Pure T. Products must also be installed, operated and maintained correctly for safe, problem-free usage.

Ordering Information

Model Number W70SM4M8M4*		
Model	Material	Fittings
W70	S = SS 316L	N ₂ Inlet M4 = 1/4 inch face seal male Vent M8 = 1/2 inch face seal male Vacuum M4 = 1/4 inch face seal male
*W70 only available configuration, no options available.		

Please consult your local representative or the factory for further information